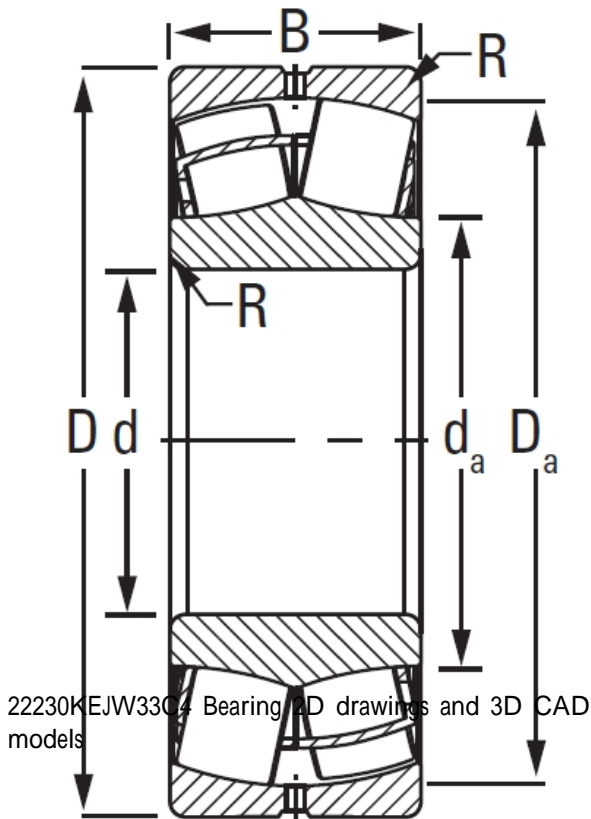




Baochen Machinery Technology Co., Ltd

22230KEJW33C4 TIMKEN Tapered Roller Bearings

Bearing No. 22230KEJW33C4



22230KEJW33C4 Bearing 2D drawings and 3D CAD models

Design Unit	METRIC
Bore Taper	1/12
Bearing Weight	17.50 Kg
Cage Type	EJ
UPC Code	087796025660
Cage Material	Steel
Superseded Part	22230KCJW33C4
d	150 mm
D	270.000 mm
B - Inner Ring Width	73 mm
B - Outer Ring Width	73.000 mm
R - Inner Ring To Clear Radius ¹	2.500 mm
r - Outer Ring To Clear Radius ²	2.500 mm
da - Inner Ring Backing Diameter	179.000 mm
Da - Outer Ring Backing Diameter	246.000 mm
C0 - Static Radial Rating	1230000 N
C1(2) - Dynamic Radial Rating (Two-Rows)	1000000 N
e - ISO Factor ³	0.25
Y0 - ISO Factor ⁴	2.69
Y1 - ISO Factor ⁵	4
Y2 - ISO Factor ⁶	2.63
Reference Thermal Speed	2000



Baochen Machinery Technology Co., Ltd

Rating (Grease)	
Reference Thermal Speed Rating (Oil) ⁷	2400
Cg - Geometry Factor ⁸	0.0899