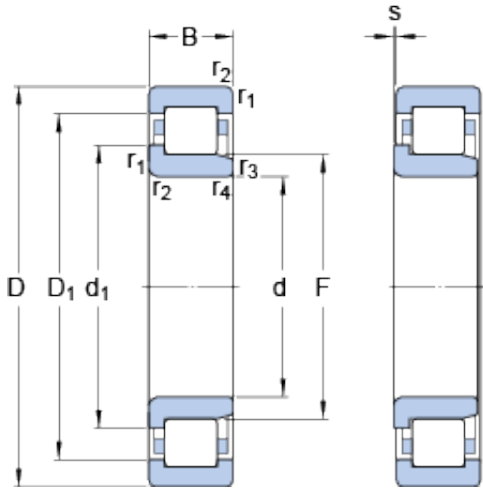




Baochen Machinery Technology Co., Ltd



60 mm x 110 mm x 28 mm SKF NJ 2212 ECM thrust ball bearings

Bearing No. NJ 2212 ECM

NJ 2212 ECM Bearing 2D drawings and 3D CAD models

Size	110x60x28 mm
Bore Diameter	110 mm
Outer Diameter	60 mm
Width	28 mm
d	60 mm
D	110 mm
B	28 mm
d ₁	77.5 mm
D ₁	95 mm
F	72 mm
r _{1,2} - min.	1.5 mm
r _{3,4} - min.	1.5 mm
s	1.4 mm
d _a - min.	68 mm
d _a - max.	70 mm
d _b - min.	80 mm
D _a - max.	101 mm
r _a - max.	1.5 mm
Basic dynamic load rating - C	146 kN
Basic static load rating - C ₀	153 kN
Fatigue load limit - P _u	20 kN
Reference speed	6700 r/min
Limiting speed	7500 r/min
Calculation factor - k _r	0.2



Baochen Machinery Technology Co., Ltd

Category	Cylindrical Roller Bearings
Inventory	0.0
Manufacturer Name	SKF
Minimum Buy Quantity	N/A
Weight / Kilogram	1.293
EAN	7316571176994
Product Group	B04144
Bore Profile	Straight
Cage Material	Brass
Precision Class	RBEC 1 ISO P0
Number of Rows of Rollers	Single Row
Separable	Inner Ring - One Side
Rolling Element	Cylindrical Roller Bearing
Profile	Complete with Outer and Inner Ring
Snap Ring	No
Internal Clearance	C0-Medium
Retainer	Yes
Relubricatable	Yes
Inch - Metric	Metric
Other Features	High Capacity 1 Rib Inner Ring 2 Rib Outer Ring Cage on Outer Ring ID
Long Description	60MM Bore; Straight Bore Profile; 110MM Outside Diameter; 28MM Width; Brass Cage Material; RBEC 1 ISO P0; Single Row; Inner Ring - One Side Separable; No Snap Ring; Relubricatable; C0-Medium Intern
Category	Cylindrical Roller Bearing
UNSPSC	31171547
Harmonized Tariff Code	8482.50.00.00
Noun	Bearing



Baochen Machinery Technology Co., Ltd

Manufacturer URL	http://www.skf.com
Manufacturer Item Number	NJ 2212 ECM
Weight / LBS	2.848
Width	1.102 Inch 28 Millimeter
Bore	2.362 Inch 60 Millimeter
Outside Diameter	4.331 Inch 110 Millimeter
d_1	77.5 mm
D_1	95 mm
$r_{1,2}$ min.	1.5 mm
$r_{3,4}$ min.	1.5 mm
s max.	1.4 mm
d_a min.	68 mm
d_a max.	70 mm
d_b min.	80 mm
D_a max.	101 mm
r_a max.	1.5 mm
Basic dynamic load rating C	146 kN
Basic static load rating C_0	153 kN
Fatigue load limit P_u	20 kN
Calculation factor k_r	0.2
Limiting value e	0.3
Axial load factor Y	0.4
Mass bearing	1.26 kg