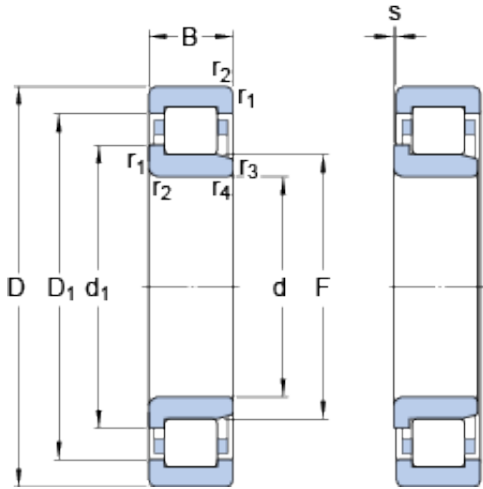




Baochen Machinery Technology Co., Ltd



80 mm x 140 mm x 26 mm SKF NJ 216 ECML thrust ball bearings

Bearing No. NJ 216 ECML

NJ 216 ECML Bearing 2D drawings and 3D CAD models

Size	140x80x26 mm
Bore Diameter	140 mm
Outer Diameter	80 mm
Width	26 mm
d	80 mm
D	140 mm
B	26 mm
d ₁	101 mm
D ₁	122.4 mm
F	95.3 mm
r _{1,2} - min.	2 mm
r _{3,4} - min.	2 mm
s	1.4 mm
d _a - min.	90 mm
d _a - max.	93 mm
d _b - min.	104 mm
D _a - max.	129.8 mm
r _a - max.	2 mm
Basic dynamic load rating - C	160 kN
Basic static load rating - C ₀	166 kN
Fatigue load limit - P _u	21.2 kN
Reference speed	5300 r/min
Limiting speed	8500 r/min
Calculation factor - k _r	0.23



Baochen Machinery Technology Co., Ltd

d_1	101 mm
D_1	122.4 mm
$r_{1,2}$ min.	2 mm
$r_{3,4}$ min.	2 mm
s max.	1.4 mm
d_a min.	90 mm
d_a max.	93 mm
d_b min.	104 mm
D_a max.	129.8 mm
r_a max.	2 mm
Basic dynamic load rating C	160 kN
Basic static load rating C_0	166 kN
Fatigue load limit P_u	21.2 kN
Calculation factor k_r	0.23
Limiting value e	0.2
Axial load factor Y	0.6
Mass bearing	1.72 kg
Angle ring	HJ 216 EC