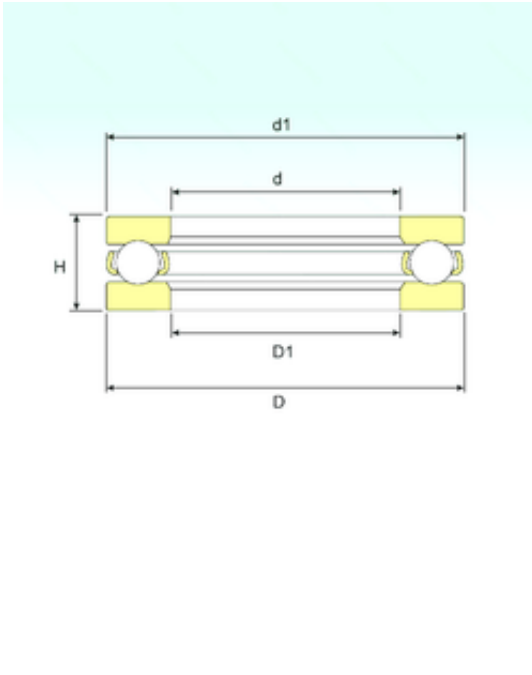




Baochen Machinery Technology Co., Ltd



51226 Bearing 2D drawings and 3D CAD models

ISB 51226 thrust ball bearings

Bearing No. 51226

Size	130x190x45 mm
Bore Diameter	130 mm
Outer Diameter	190 mm
Width	45 mm
d	130 mm
D	190 mm
H	45 mm
d1	190 mm
D1	133 mm
Weight	4 Kg
Basic dynamic load rating (C)	182 kN
Basic static load rating (C0)	573 kN
(Grease) Lubrication Speed	1530 r/min