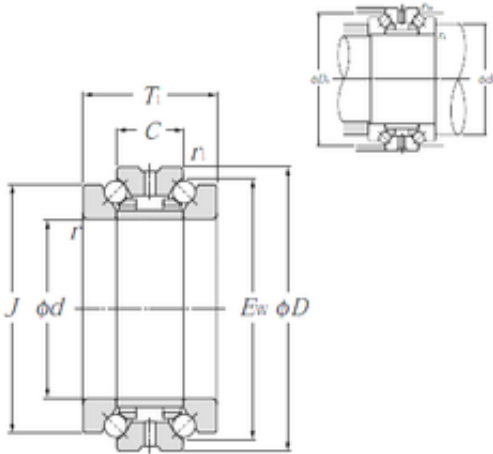




Baochen Machinery Technology Co., Ltd

NTN 562009 thrust ball bearings

Bearing No. 562009



562009 Bearing 2D drawings and 3D CAD models

Bore Diameter	45 mm
Outer Diameter	67,5 mm
d	45 mm
D	75 mm
Ew	67,5 mm
T1	38 mm
C	19 mm
ra1 max.	0,6 mm
r min.	1 mm
r1 min.	0,6 mm
J	65 mm
da min.	56,5 mm
Da max.	70,5 mm
ra max.	1 mm
Weight	0,605 Kg
Basic dynamic load rating (C)	26 kN
Basic static load rating (C0)	69 kN
(Grease) Lubrication Speed	5 200 r/min