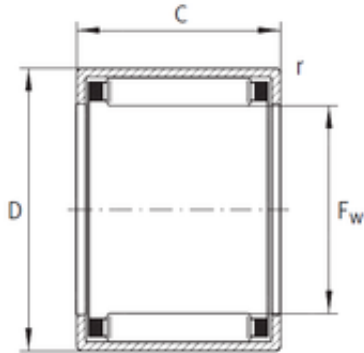




Baochen Machinery Technology Co., Ltd

INA SCE1616 needle roller bearings



SCE1616 Bearing 2D drawings and 3D CAD models

Bearing No. SCE1616

Size	25.4x31.75x25.4 mm
Bore Diameter	25,4 mm
Outer Diameter	31,75 mm
Width	25,4 mm
Fw	25,4 mm
D	31,75 mm
C	25,4 mm
Weight	0,038 Kg
Basic dynamic load rating (C)	24,8 kN
Basic static load rating (C0)	45,5 kN
Category	Roller Bearings
Inventory	0.0
Manufacturer Name	SCHAEFFLER GROUP
Minimum Buy Quantity	N/A
Weight / Kilogram	0
EAN	4012802069884
Product Group	B04144