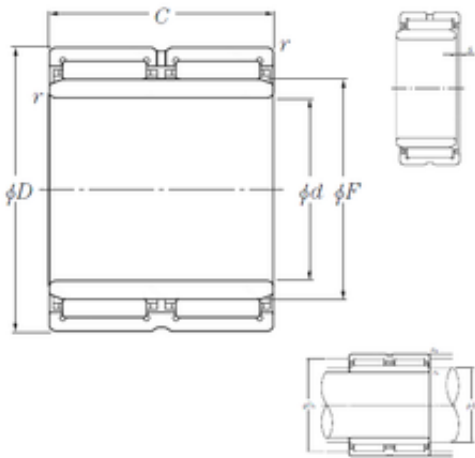




# Baochen Machinery Technology Co., Ltd



12 mm x 24 mm x 22 mm NTN NA6901R  
needle roller bearings

Bearing No. NA6901R

NA6901R Bearing 2D drawings and 3D CAD models

Size	12x24x22 mm
Bore Diameter	12 mm
Outer Diameter	24 mm
Width	22 mm
d	12 mm
F	16 mm
D	24 mm
B	22 mm
C	22 mm
r min.	0,3 mm
s	1 mm
da min.	14 mm
Da max.	22 mm
ra max.	0,3 mm
Weight	0,046 Kg
Basic dynamic load rating (C)	15,4 kN
Basic static load rating (C0)	20 kN
(Grease) Lubrication Speed	15 000 r/min
rs min	0.3 mm
s max	1 mm
Dw	2.5 mm
Lw	17.8 mm
Lubrication hole on outer ring	Oui/Yes
k	2 mm



## Baochen Machinery Technology Co., Ltd

Lubrication hole on inner ring	Non/No
Radial clearance class	CN
Precision class	P0
Mass	0.05 kg
Cr	15.4 kN
C0r	20 kN
Nlim (grease)	15,000 rpm
Nlim (oil)	23,000 rpm
Min operating temperature, Tmin	-20 ° C
Max operating temperature, Tmax	120 ° C
Characteristic cage frequency, FTF	0.43 Hz
Characteristic rolling element frequency, BSF	7.26 Hz
Characteristic outer ring frequency, BPF0	2.81 Hz
Characteristic inner ring frequency, BPF1	3.69 Hz
da min	14 mm
Da max	22 mm
ras max	0.3 mm
Category	Bearings
Inventory	0.0
Manufacturer Name	NTN
Minimum Buy Quantity	N/A
Weight / Kilogram	0.05
Product Group	B04144