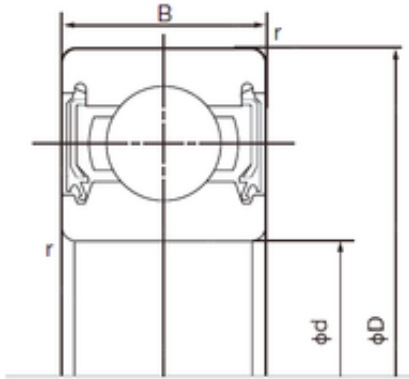




Baochen Machinery Technology Co., Ltd

20 mm x 52 mm x 15 mm NACHI 6304-2NSE9
deep groove ball bearings



Bearing No. 6304-2NSE9

6304-2NSE9 Bearing 2D drawings and 3D CAD models

Size	20x52x15 mm
Bore Diameter	20 mm
Outer Diameter	52 mm
Width	15 mm
d	20 mm
D	52 mm
B	15 mm
C	15 mm
r min.	1.1 mm
Basic dynamic load rating (C)	15,9 kN
Basic static load rating (C0)	7,9 kN
Bore Type	Cylindrical Bore
Enclosure	Double Seal
Configuration	Single Row
Weight	0.144 kg
Bore Size	20 mm
Outside Diameter	52 mm
Width	15 mm
Fillet Radius/Chamfer	1.1 mm
Dynamic Load Rating	15,900 N
Static Load Rating	7,900 N
Limiting Speed - Grease	10,000 rpm
Factor fo	12.4
Radial Clearance	0.005 to 0.020 mm
da (min)	27 mm



Baochen Machinery Technology Co., Ltd

Da (max)	45 mm
ra (max)	1.1 mm