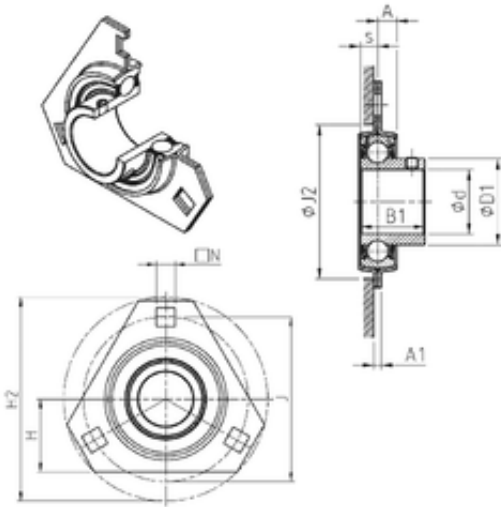




SNR USPFT207 bearing units

Bearing No. USPFT207



USPFT207 Bearing 2D drawings and 3D CAD models

Bore Diameter	35 mm
d	35 mm
s	8,5 mm
A	10,5 mm
A1	5 mm
B1	32 mm
D1	48 mm
H	44,2 mm
H2	122,2 mm
J	100 mm
N	10,5 mm
J2	81 mm
Weight	0,9 Kg
Basic dynamic load rating (C)	25,7 kN