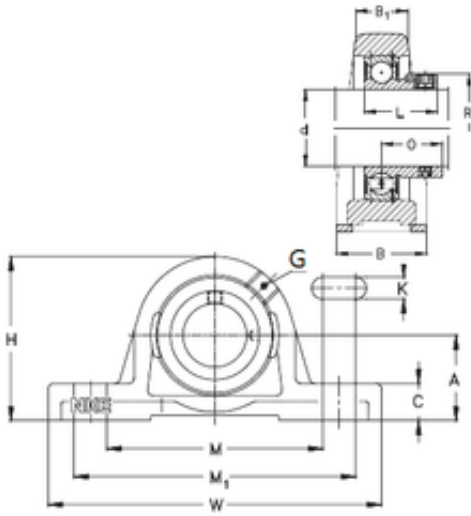




**NKE RASE35-N bearing units**

Bearing No. RASE35-N



RASE35-N Bearing 2D drawings and 3D CAD models

Bore Diameter	35 mm
Width	45 mm
d	35 mm
O	32,3 mm
A	47,6 mm
B	45 mm
B1	27 mm
C	19 mm
H	93 mm
K	14 mm
L	51,1 mm
M	119,5 mm
M1	132,5 mm
R	51 mm
W	163 mm
Thread (G)	R1/8 "