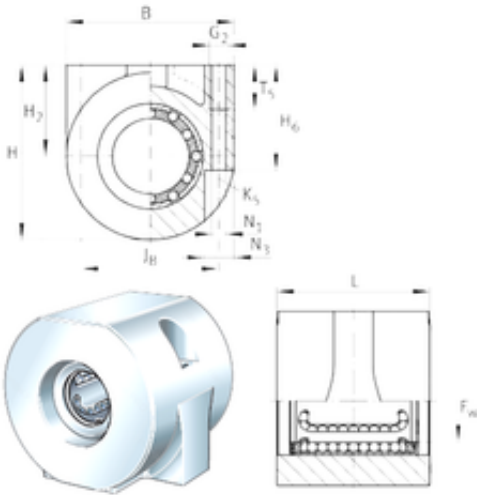




INA KGHA16-PP bearing units



Bearing No. KGHA16-PP

Bore Diameter	16 mm
Width	42 mm
Fw	16 mm
H6	27 mm
B	42 mm
H	41 mm
H2	20 mm
L	37 mm
N1	5,1 mm
Thread (G)	M6
N2	8,1 mm
JB	32 mm
T5	15 mm
Thread (K5)	M4
Weight	0,228 Kg
Basic dynamic load rating (C)	0,89 kN

KGHA16-PP Bearing 2D drawings and 3D CAD models