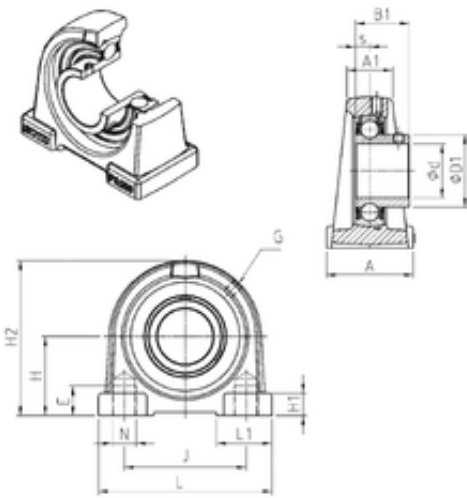




SNR USPA206 bearing units

Bearing No. USPA206



USPA206 Bearing 2D drawings and 3D CAD models

Bore Diameter	30 mm
d	30 mm
s	8 mm
A	48 mm
A1	25 mm
B1	30 mm
D1	40,3 mm
E	18 mm
H	42,9 mm
H1	13 mm
H2	84 mm
J	66 mm
L	94 mm
L1	30 mm
Thread (G)	M6x1
Thread (N1)	M14
Weight	1 Kg
Basic dynamic load rating (C)	19,5 kN